

ENGLISH



Pegasus
cad-cam

MECH technology

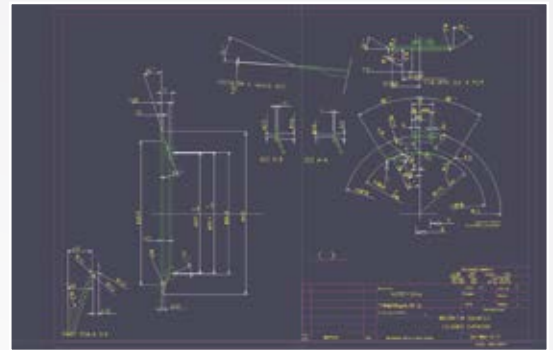


DESIGN

PEGASUS CAD-CAM includes 2D and 3D CAD modules for the drawing, editing and transformation of 2D and 3D geometric entities.

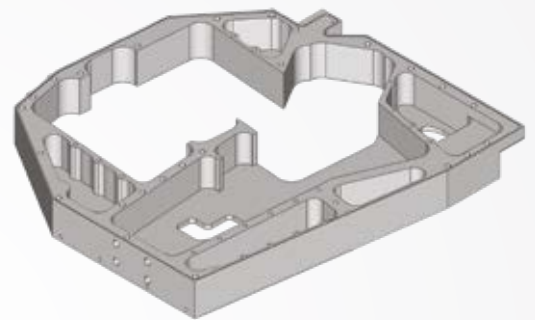
2D CAD

- Drawing and editing of 2D geometries placed on 3D work planes
- Construction geometries mode
- Text outline generation along lines and curves, using Windows TrueType font mapping
- Dimensions
- Printing functions supporting PDF, printer and plotters



3D CAD

- Drawing and editing of 3D primitives, NURBS based solid models and surfaces, triangular meshes
- Features detection and extraction: pockets, slots, holes
- Projection and wrapping of 2d geometries on surfaces
- 3D geometric macros for details simplified drawing



EXTERNAL CAD IMPORTS

It's possible to import the following formats: DXF, DWG, IGES, 3DS, STEP, STL, OBJ, Rhino3D.

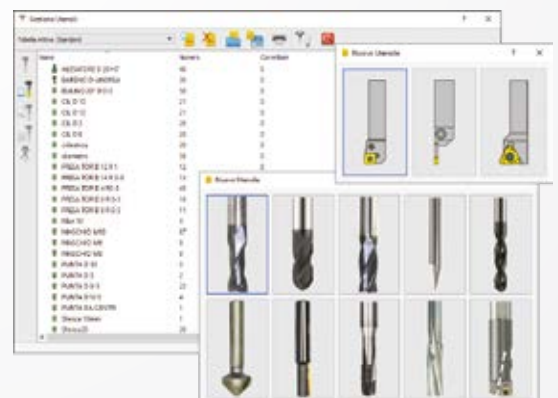
TOOLS TABLES

The software is provided with a specific environment to manage the tools' archives. The user, depending on his equipment, can archive his tools in one or more tool tables that can be arranged and customized depending on his needs.

Supported tools:

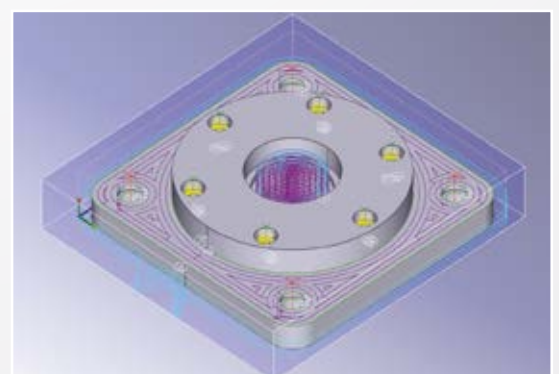
- mill cutters: cylindrical, spherical or toroidal cutters; tapers and engraving cutters
- hole machinings tools: drill, boring, reaming and taper tools
- turning tools: generic, parting and threading tools

Handling of tool-headers and additional accessories.
Tables handling: printing, exporting and importing.



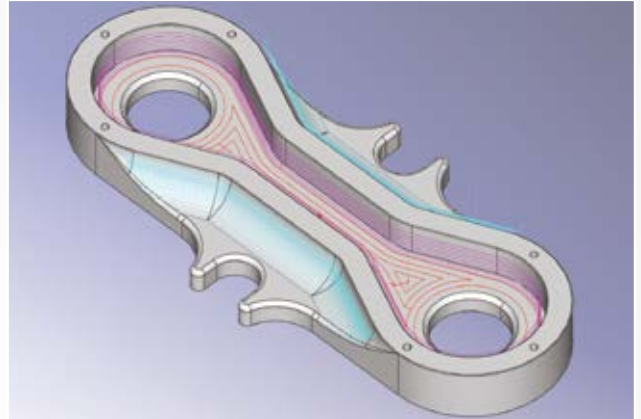
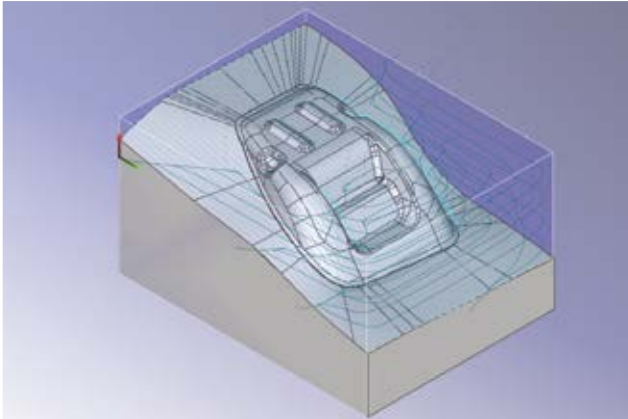
2.5D MACHININGS

- Countouring: vertical or shaped walls
- Pocketing: vertical or shaped walls
- High-speed pocketing
- 3D engraving of logos and writings
- Automatic rest machinings
- Leveling (Face Milling)
- Canned cycles
- Hole/circle machinings



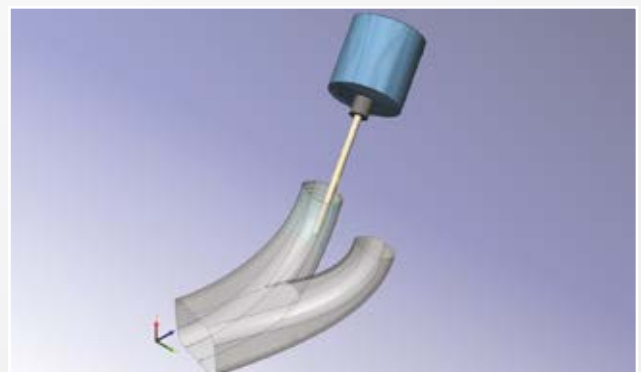
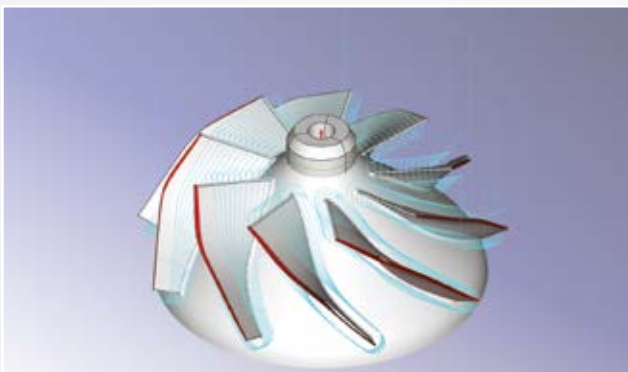
3+2 3D (FIXED FRAMES) MACHININGS

- Roughing strategies: Z levels, high speed
- Advanced functionalities for the automatic recalculation of rest material
- Finishing strategies: parallel cuts, Z levels, Z helicoidal, between 2 curves, falt-lands, pencil, constant cusp, offset surface borders
- Projected curve finishing: curves offset, radial and spiral finishing, along guide curves
- High speed strategies (HSM) uniform toolpaths and constant tool engagement
- Conversion of 3D machinings into 4/5-axis machinings
- 3D curve machinings strategies



MULTIAXIS (4/5 INTERPOLATED AXES) MACHININGS

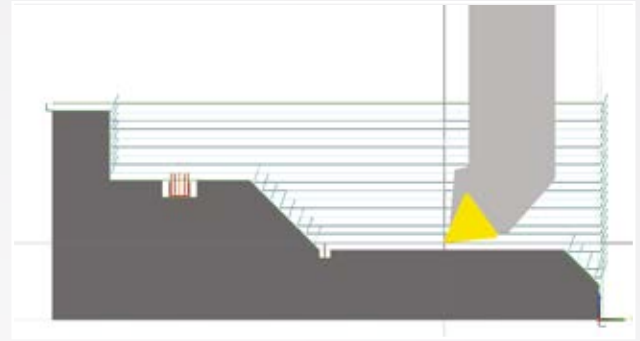
- Roughing strategies: parallel cuts, multiaxis
- Advanced functionalities for the automatic recalculation of rest material
- Finishing strategies: parallel cuts, Z levels, Z helicoidal, between 2 curves, falt-lands, pencil, perpendicular cuts to curve, parallel cuts to edge curves
- Projected curve finishing: curves offset, radial and spiral finishing, along guide curves
- SWARF machinings up to 5 axes
- 3D curve machinings strategies
- Special applications strategies: turbine blades machinings (Impeller), pipes machinings with undercut (Port)
- Many strategies for the tool axis control: normal to surface, inclined relative to cutting direction, inclined through point, inclined through curve, ecc.
- Complete control of the tool axis orientation with the ability to handle the contact point and limit the inclination



LATHE MACHININGS

Module for the 2-axis lathe machinings.

- Lathe machinings: roughing, pocketing, facing, finishing, groove, cut off, threading
- Canned cycles: axial drilling, axial tapping



SIMULAZIONE

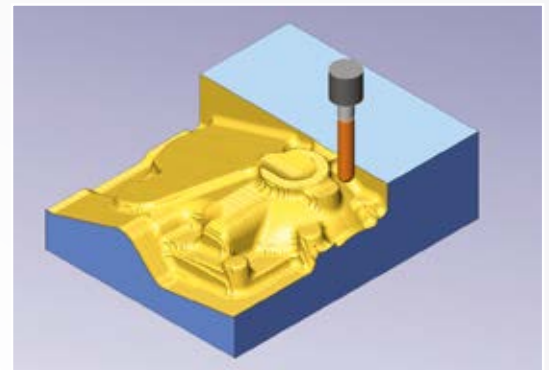
PEGASUS CAD-CAM is bundled with an integrated graphic simulation environment for the immediate verification of the machining result on the material (material simulation), and a virtual simulation environment based on the real model of the machine (machine simulation).

MATERIAL SIMULATION

Verification of all kind of machinings, from 2.5D up to 5 axes, with collision checking on both the stock material and the finished model.

Two possible simulation modes are available:

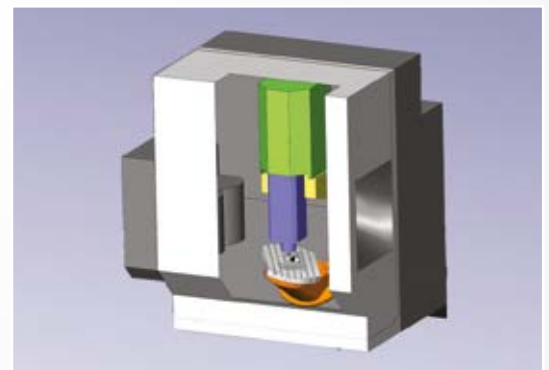
- toolpath (showing only the tool trace)
- material removal



VIRTUAL MACHINE SIMULATION

This is an optional module that provides the virtual representation of the entire machine, showing the movement of all axes, both linear and rotary.

This module is useful to avoid problems on the machine during the CNC program execution; it checks the limits of the axes and detects potential collisions with the moving parts or the fixtures.



REPORT

Integrated module to handle reports and project printings, for the operator to use during the equipping of the machine. Reports content is customizable with:

- the list of the applied operations
- tools data
- working schedule
- material images e work setting operations



POST PROCESSOR

This is an integrated module to convert the applied toolpaths into the language of the specific CNC. Usually there are one or more custom post-processors available for the machines present in a workshop.

POWERFUL, RELIABLE, EASY TO USE.

PEGASUS CAD-CAM is the CAD/CAM software developed by Tecno Program for the metal industry.

From the milling to the lathe machining centers, from the machines with compound rotary tables up to the more complex 5 continuous axes machining centers, **PEGASUS CAD-CAM** is the best solution for any need.

The software is very user friendly and it does not require any advanced computer skill; also, it is provided with an online help which supports the user during the training and the use of the software.

PEGASUS CAD-CAM is organized in modules with specific operating sections - CAD 2D and 3D, CAM, Simulation and Post-Processing (creation of the CNC machine program) – so that the user is guided through each step of the process.

MILLING

Pegasus cad-cam	ESSENTIAL	With respect to the milling modules, this is the entry-level edition that suits machines with a fixed toolhead.
Pegasus cad-cam	STANDARD	Module to be used for 2.5D machinings, perfect for machines with a vertical toolhead or with a indexed orientation.
Pegasus cad-cam	ADVANCED 3 axis	2.5D and 3D machinings, suitable for 3-axis machines.
Pegasus cad-cam	ADVANCED multiaxis	2.5D and 3D machinings, suitable for 3/4/5 axes machines with indexed orientation.
Pegasus cad-cam	ULTIMATE	This is the top edition, the essential version for those who use 5-axis continuous machines.

LATHE

Pegasus cad-cam	LATHE 2 axis	This module is specific for 2-axes lathe machines.
---------------------------	---------------------	--

The ultimate software choice for your CNC machine.



TECNO
PROGRAM
SOFTWARE FOR MANUFACTURING

REGISTERED OFFICE AND OPERATIONS HEADQUARTERS

Località Drove 2/G - 53036 Poggibonsi (Siena) Italy

c/o Centro Direzionale EXIT, scala D, int. 37

T: +39 0577 1910523 F: +39 178 2717464 Email: info@tecnoprogramsrl.it

www.tecnoprogramsrl.it

www.pegasuscadcam.com